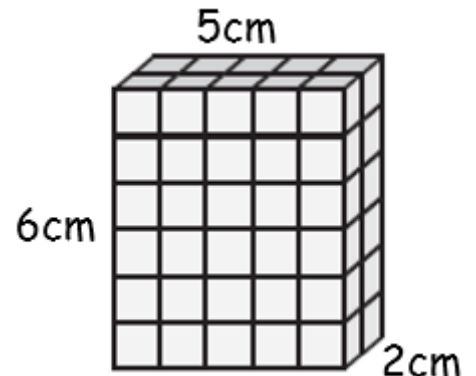
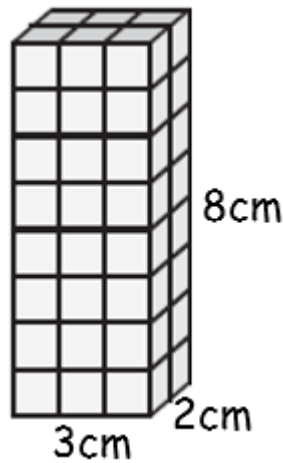
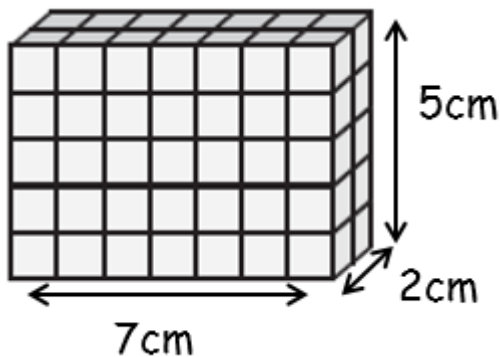


Volume of Cubes and Cuboids

Hint: Volume = length \times width \times height

1. Calculate the volume of the following cuboids.

You can count the number of cubes or use the formula in the box above.



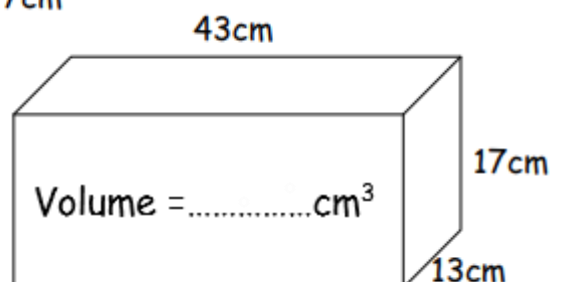
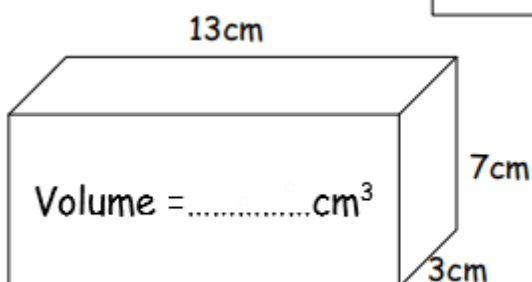
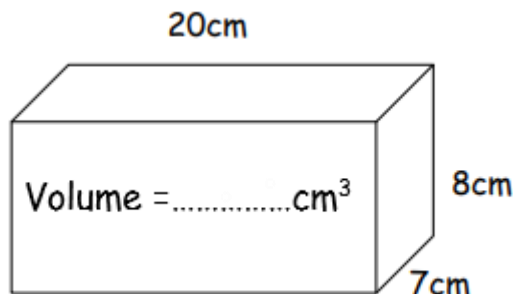
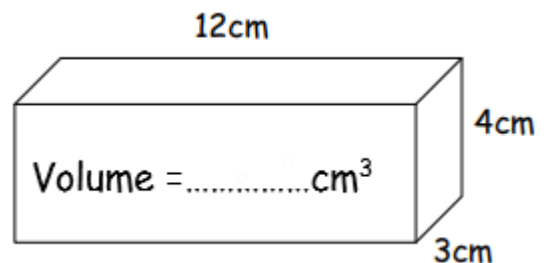
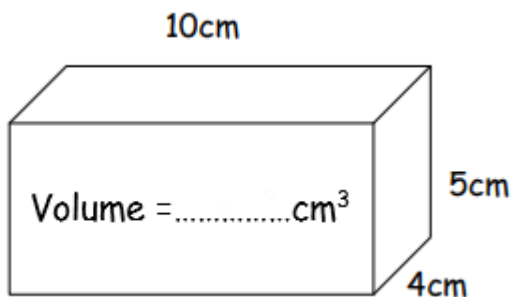
Volume =cm³

Volume =cm³

Volume =cm³

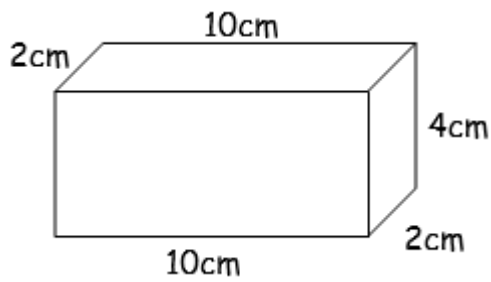
2. Calculate the volume of the following cuboids.

Use the formula in the box above.

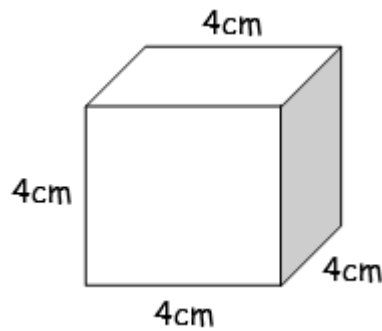


3. Calculate the volume of the following cuboids.

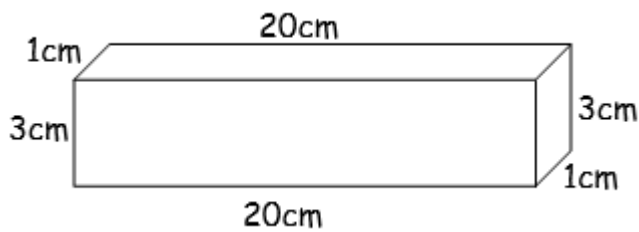
Remember, you only multiply the 3 dimensions together.



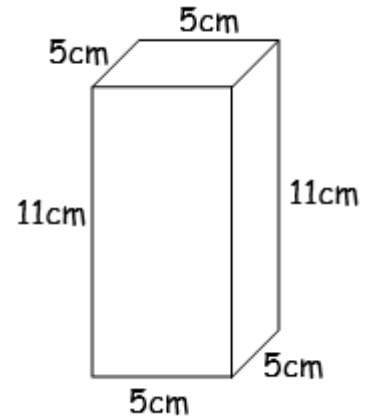
Volume =cm³



Volume =cm³

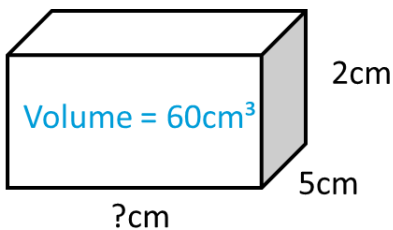


Volume =cm³



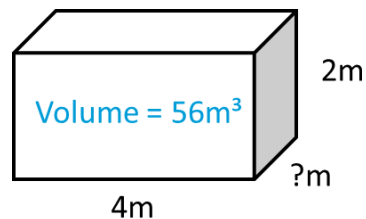
Volume =cm³

4. Calculate the missing length in each of the following cuboids.



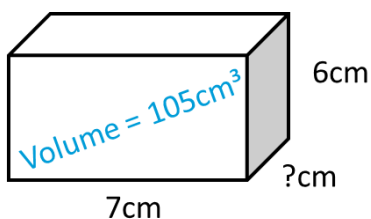
$$? \times 5 \times 2 = 60$$

Missing length =cm

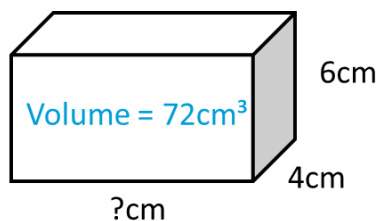


$$4 \times ? \times 2 = 56$$

Missing length =cm



Missing length =cm



Missing length =cm