

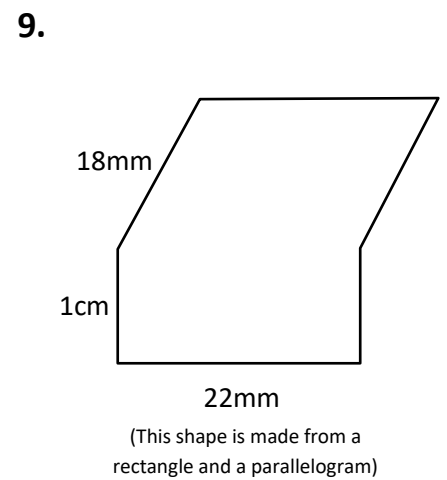
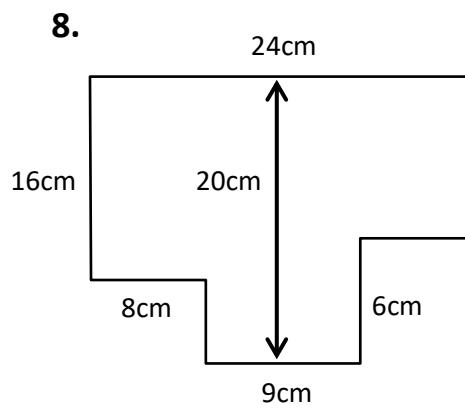
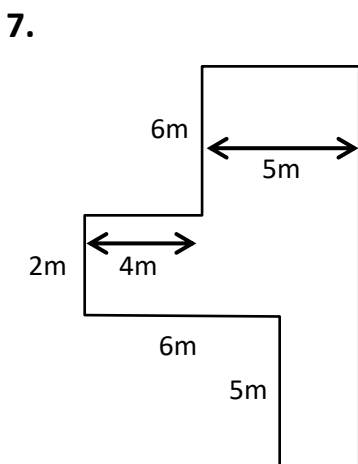
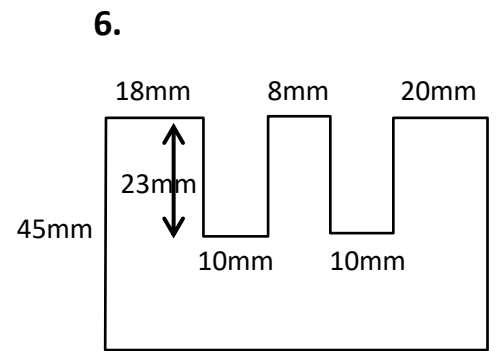
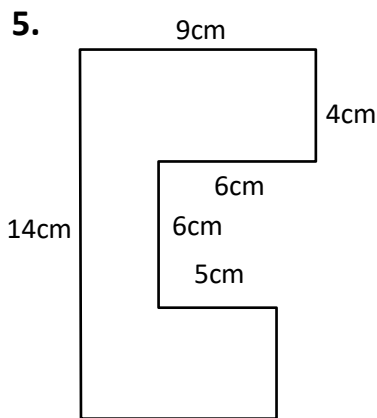
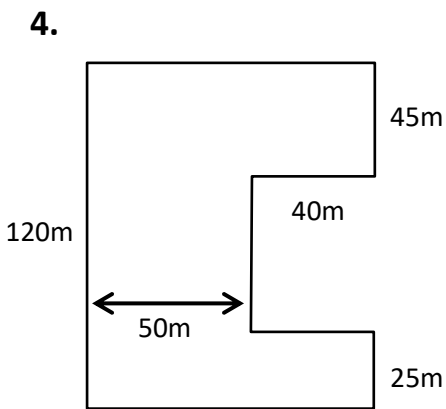
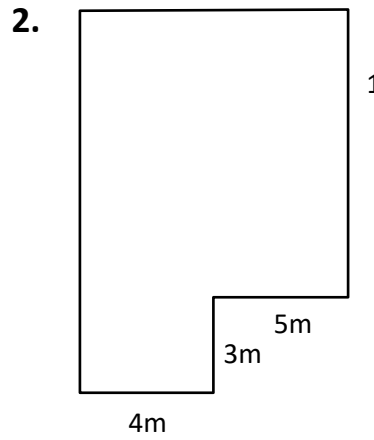
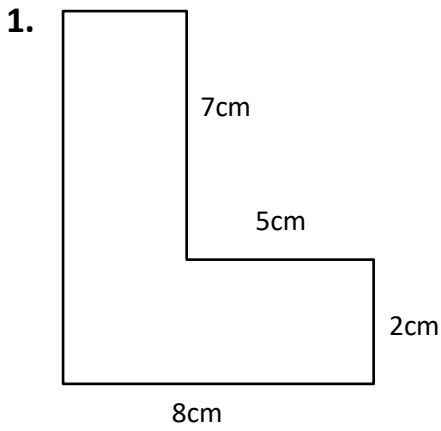
Perimeter of compound shapes

Find the perimeter of each of these shapes. Write in missing lengths that you calculate.

Delete before printing!

Answers

1. 34cm
2. 48m
3. 11cm or 110mm
4. 500m
5. 56cm
6. 314mm
7. 44m
8. 88cm
9. 100mm or 10cm



NB. Diagrams not drawn to scale