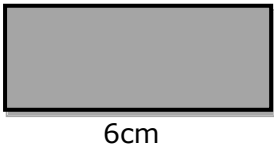
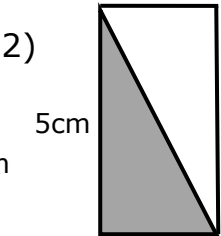
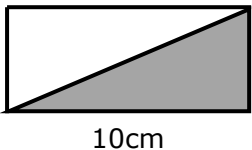
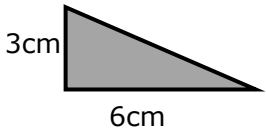
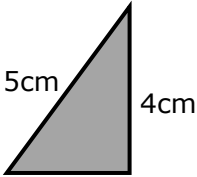
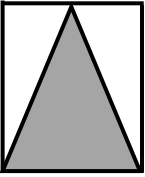
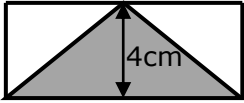


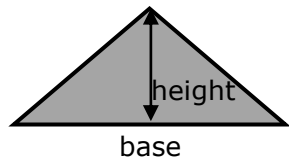
Area of Triangles, Rectangles & Composite Shapes

Developing: I can derive the formula for the area of a triangle

Find the area of the shaded regions:

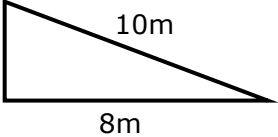
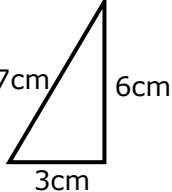
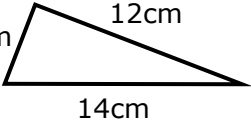
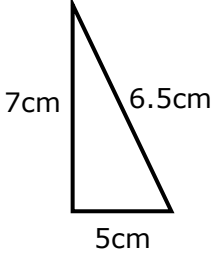
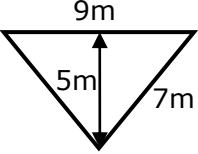
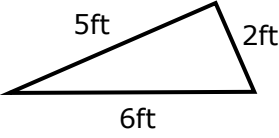
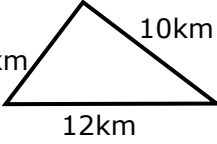
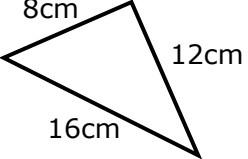
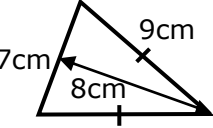
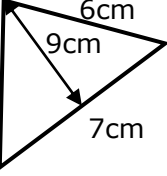
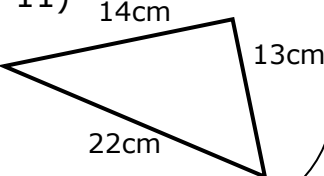
- 1) 
- 2) 
- 3) 
- 4) 
- 5) 
- 6) 
- 7) 

8) Using the letters b and h , write a formula for the area of this triangle:



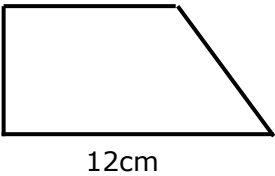
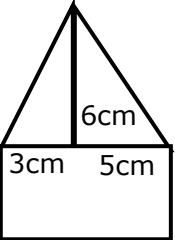
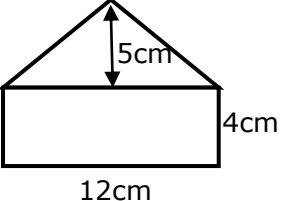
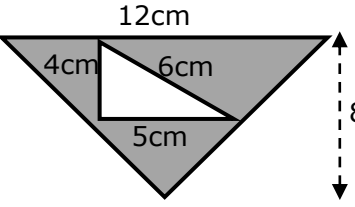
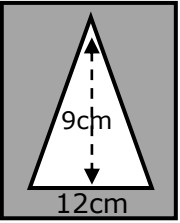
Secured: I can substitute the correct values into the formula to find the area of a triangle

Find the area of these triangles:

- 1) 
- 2) 
- 3) 
- 4) 
- 5) 
- 6) 
- 7) 
- 8) 
- 9) 
- 10) 
- 11) 

Mastered: I can solve problems involving area of triangles

Work out the area of these shapes:

- 1) 
- 2) 
- 3) 
- 4) Work out the shaded area: 
- 5) 

6) The area of this triangle is 32cm^2 . What are some possible values for a and b ?

