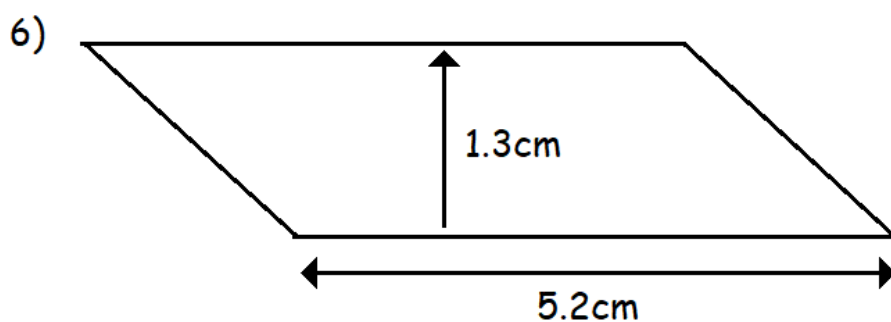
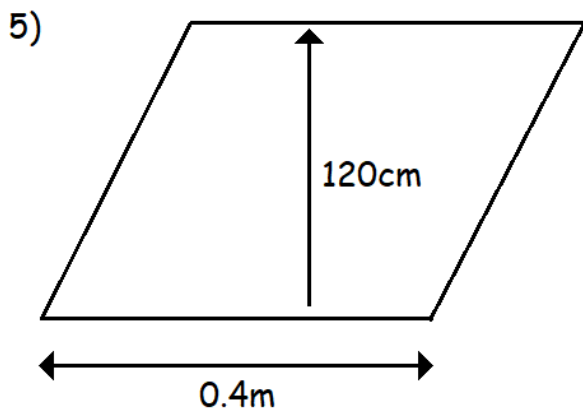
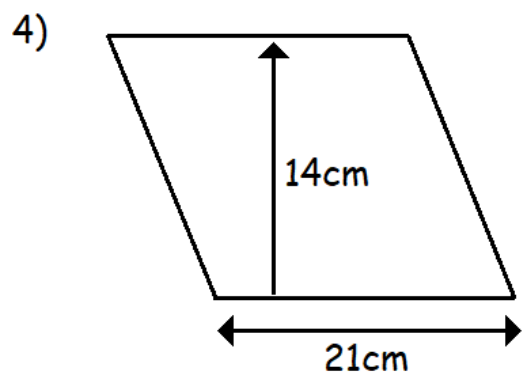
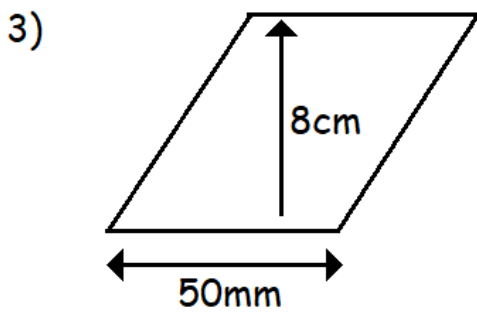
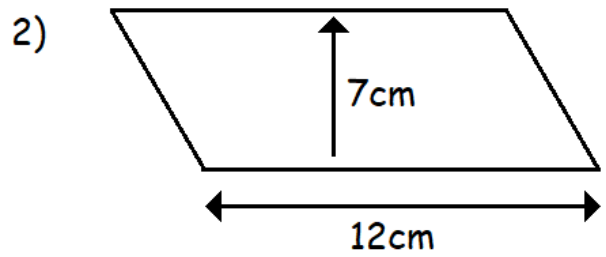
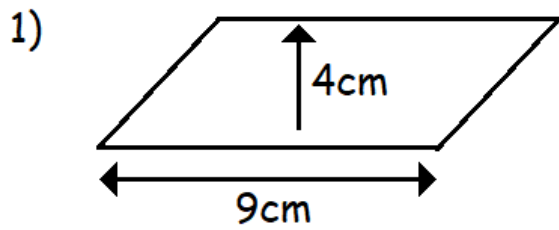


Area of Parallelograms

Section A - Calculate the areas:



Section B - For each question, find the value of x given the areas.

